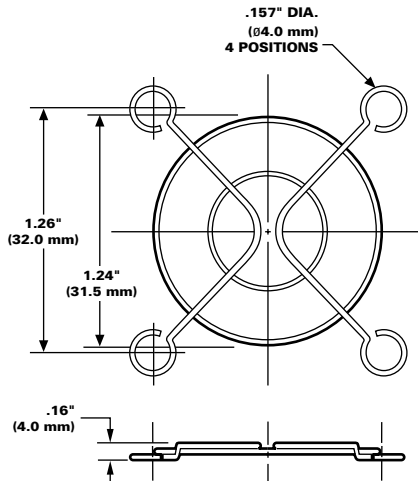


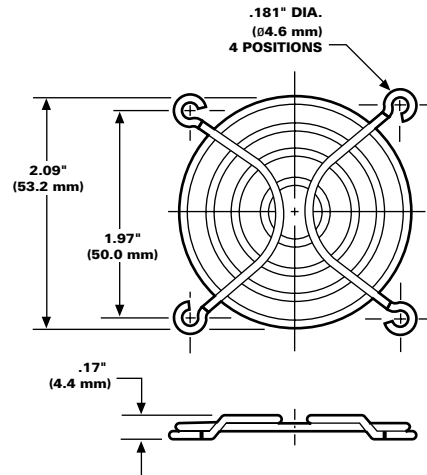
WFG 16



Finger Guard for 1.60" Square Fan

Meets UL .25 Dia. Plug Gage Test
Material: C1010
Finish: Bright Nickel Chrome
Ribs: .06" (1.6 mm) Dia.
Rings: .06" (1.6 mm) Dia.

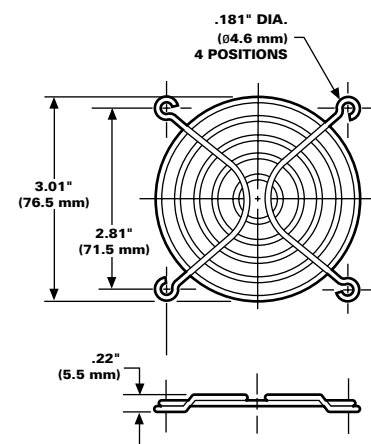
WFG 24



Finger Guard for 2.36" Square Fan

Meets UL .25 Dia. Plug Gage Test
Material: C1010
Finish: Bright Nickel Chrome
Ribs: .06" (1.6 mm) Dia.
Rings: .06" (1.6 mm) Dia.

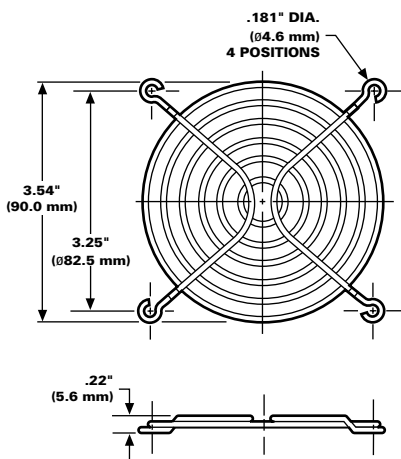
WFG 31



Finger Guard for 3.15" Square Fan

Meets UL .25 Dia. Plug Gage Test
Material: C1010
Finish: Bright Nickel Chrome
Ribs: .07" (1.8 mm) Dia.
Rings: .07" (1.8 mm) Dia.

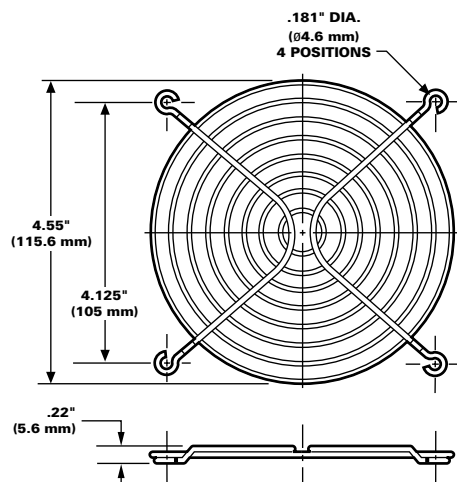
WFG 36



Finger Guard for 3.63" Square Fan

Meets UL .25 Dia. Plug Gage Test
Material: C1010
Finish: Bright Nickel Chrome
Ribs: .07" (1.8 mm) Dia.
Rings: .06" (1.6 mm) Dia.

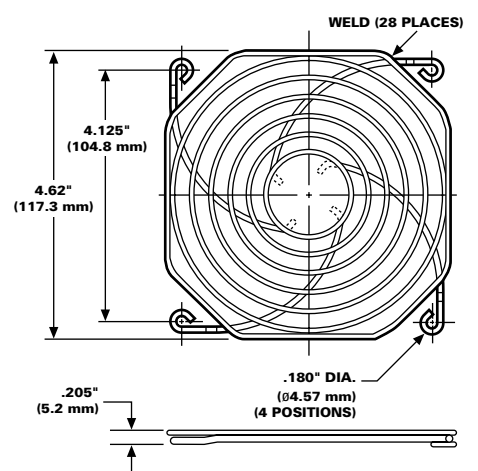
WFG 47



Finger Guard for 4.69" Square Fan

Meets UL .25 Dia. Plug Gage Test
Material: C1010
Finish: Bright Nickel Chrome
Ribs: .07" (1.8 mm) Dia.
Rings: .07" (1.8 mm) Dia.

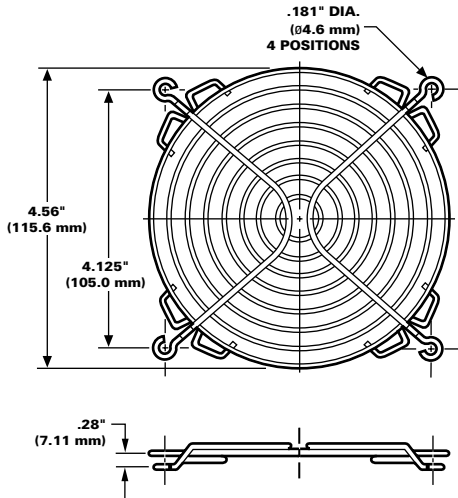
WFG 47S



Finger Guard for 4.69" Square Fan

Meets UL .25 Dia. Plug Gage Test
Material: C1010 Wire Basic Steel
Finish: Bright Nickel Chrome
Ribs: .08" (2.0 mm) Dia.
Rings: .06" (1.6 mm) Dia.

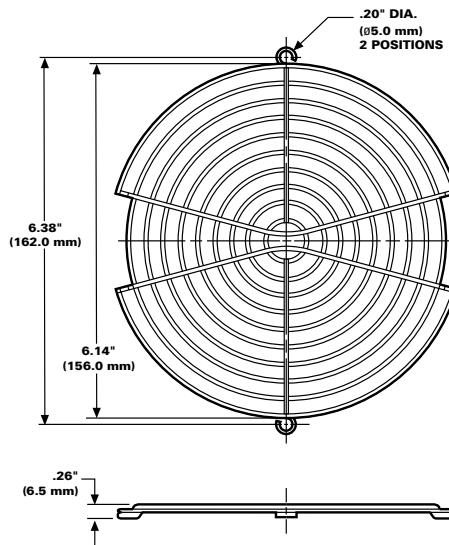
WFG 47W



Finger Guard for 4.69" Square Fan

Meets UL .25 Dia. Plug Gage Test
 Material: C1010
 Finish: Bright Nickel Chrome
 Ribs: .08" (2.0 mm) Dia.
 Rings: .07" (1.8 mm) Dia.

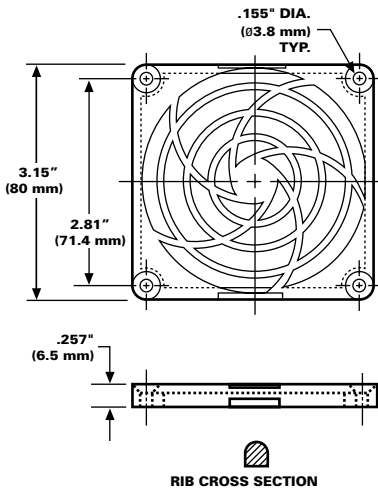
WFG 59



Finger Guard for 5.91" x 6.78" Fan

Meets UL .25 Dia. Plug Gage Test
 Material: C1010
 Finish: Bright Nickel Chrome
 Ribs: .09" (2.3 mm) Dia.
 Rings: .07" (1.8 mm) Dia.

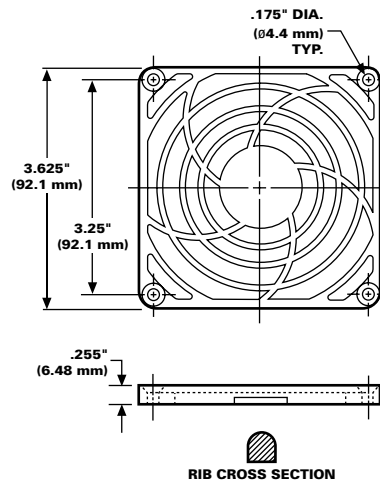
PFG 31



Finger Guard for 3.15" Square Fan

Material: Black Plastic
 UL Listed 94V-0

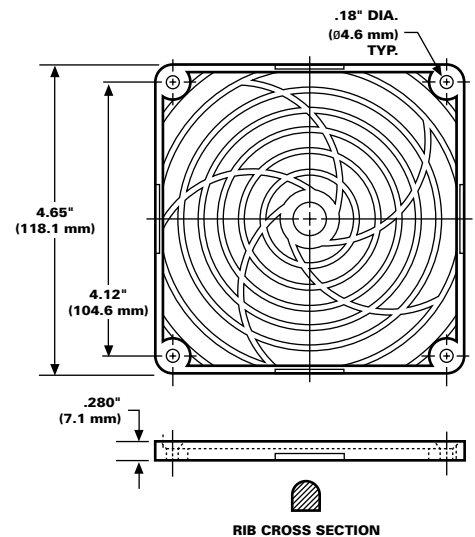
PFG 36



Finger Guard for 3.6" Square Fan

Material: Black Plastic
 UL Listed 94V-0

PFG 47



Finger Guard for 4.69" Square Fan

Material: Black Plastic
 UL Listed 94V-0