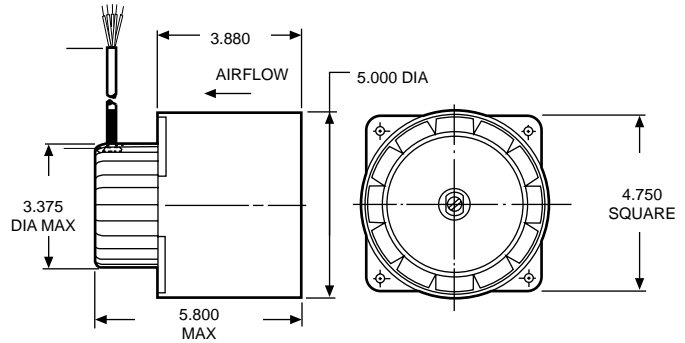


AC Vaneaxial Blower P/N 19A2931



General

Globe Motors manufactures custom-designed axial-flow and centrifugal blowers to meet MIL-spec and industrial requirements.

Whether it's a miniature blower for spot cooling of electronic components, or a larger unit with greater air flows for compartment inlet or exhaust venting, Globe can custom design and build the blower that you need. And for reliable, worry-free performance, all blowers offered are powered by quality Globe AC or DC motors.

Our experienced design and application engineers stand ready to assist you with cooling solutions; and our vertically integrated manufacturing provides the capability needed to deliver prototypes quickly.

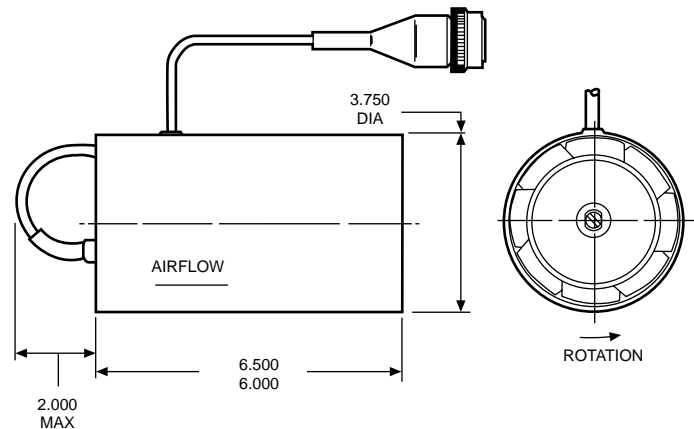
NOTE: For design assistance, contact Globe Motors

Application: Aircraft Electronic Radio Component Cooling

Input Power: 200 VAC, 400 Hz, 3 Phase

Performance: 800 cfm @ .5 in. H₂O @ 70,000 ft.

DC Vaneaxial Blower P/N 19A2932



Application: Land Track Vehicle Crew Compartment Ventilation

Input Power: 26 VDC

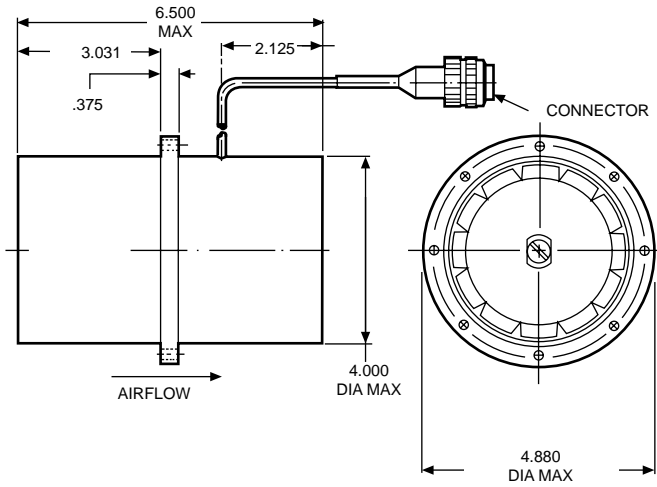
Performance: 100 cfm @ 7.0 in. H₂O

NOTE: Consult factory prior to preparing spec control prints. Dimensions are for reference only

D-2000

AC Vaneaxial Blower

P/N 19A2933



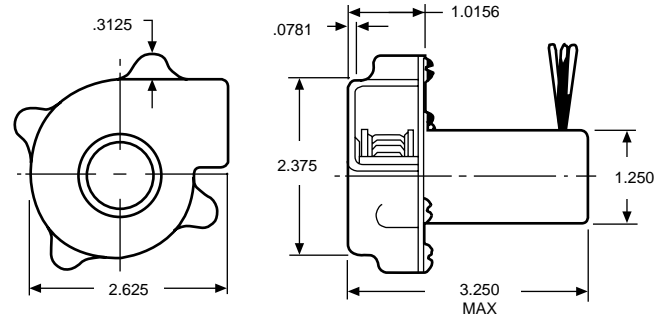
Application: Missile Launch Magazine Exhaust System

Input Power: 115 VAC, 400 Hz, 3 Phase

Performance: 80 cfm @ 3.5 in. H₂O

AC Centrifugal Blower

P/N 19A518



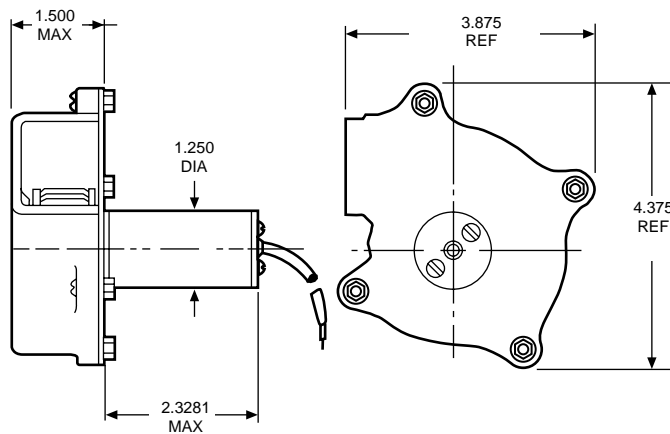
Application: Ground Communication Electronic Component Cooling

Input Power: 115 VAC, 400 Hz, Single Phase

Performance: 17.5 cfm @ free air

DC Centrifugal Blower

P/N 19A1864



Application: Avionics Communication Electronic Component Cooling

Input Power: 27 VDC

Performance: 33 cfm @ free air